

A&N Model Trucks



GERMAN ANTOS TRUCK

Conversion kit, 1/24

Made in Latvia



Warning!

Read carefully this instruction and please follow it during assembling, otherwise you could face problems with assembling the model.

Photo-etched parts have sharp edges, please be careful.


This model kit contains very small parts and is not suitable for children. THIS IS NOT A TOY!

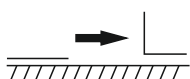
Super-glue has to be used during assembling.

This kit requires chassis - we recommend to use Italeri Mercedes-Benz Actros Mp4 as donor kit.

Symbols:

 - glue parts;


 - do not glue parts;

 - bend parts;

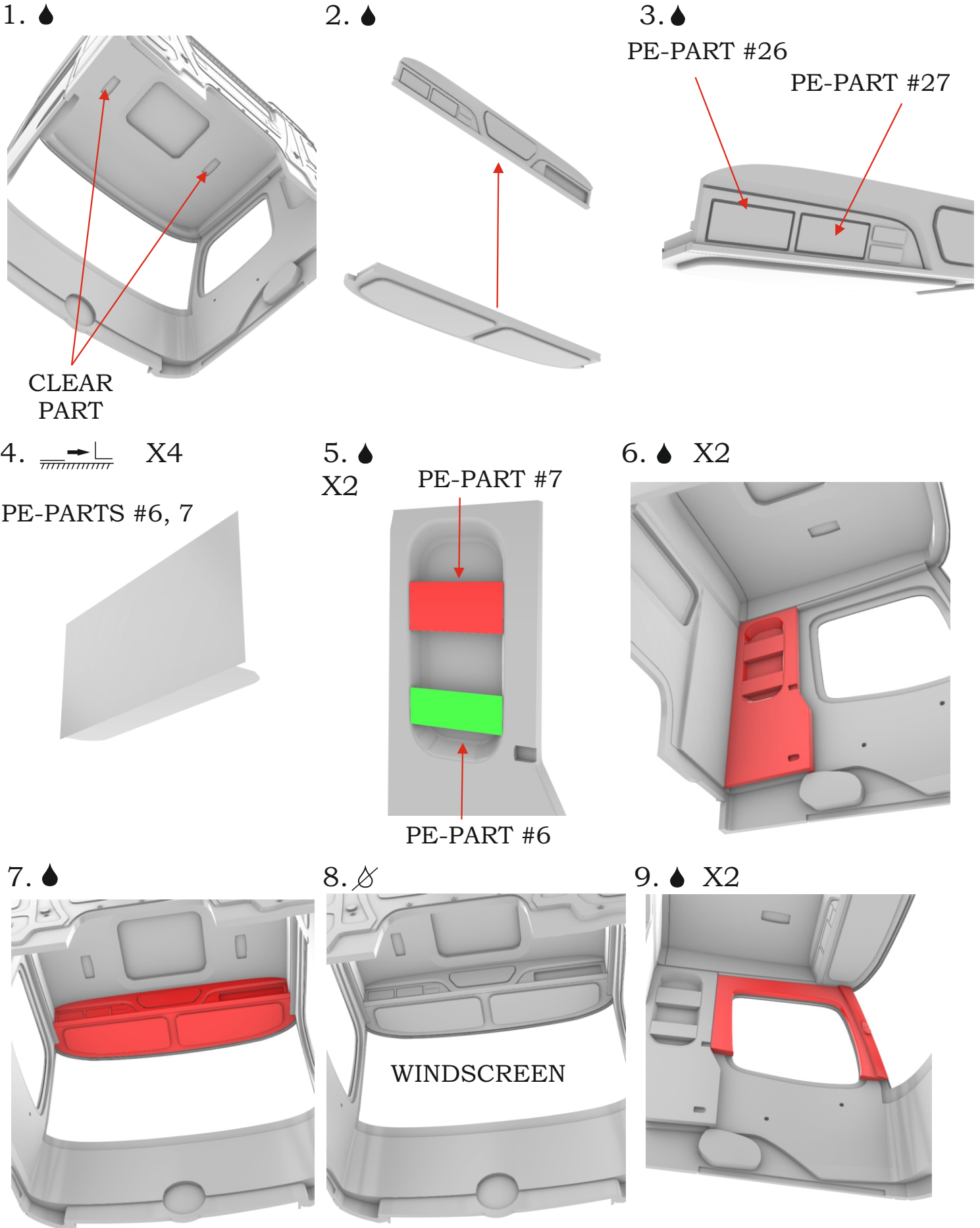
 - attention;

 - moving parts;

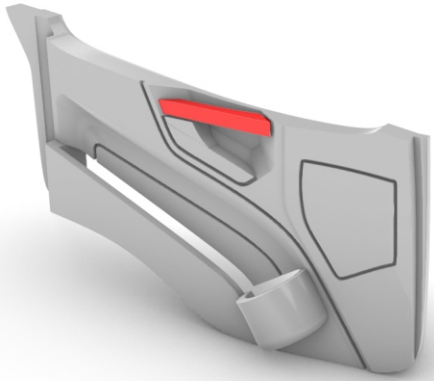
 - your choice;

 - cut;

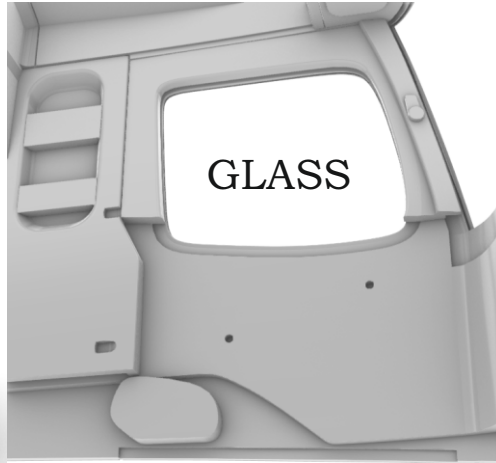
 - drill;



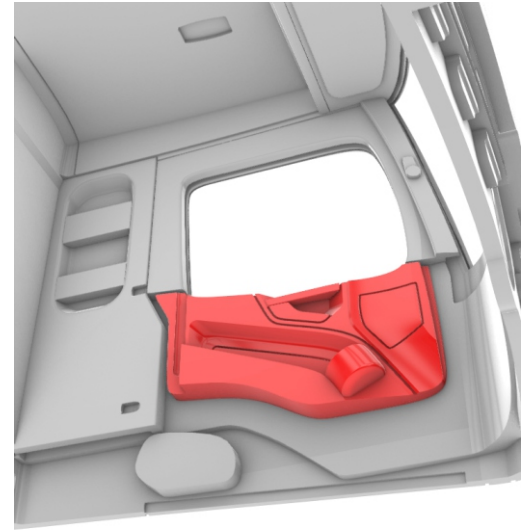
10. ♣ X2



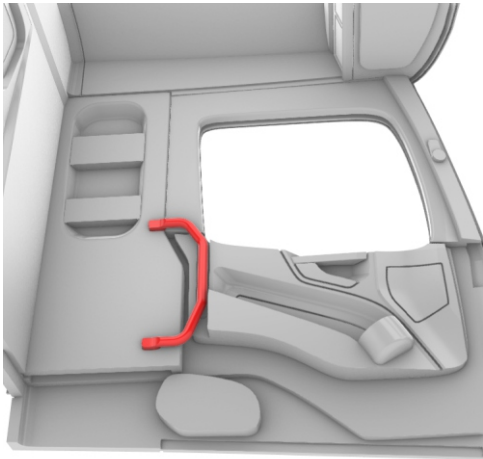
11. ♣ X2



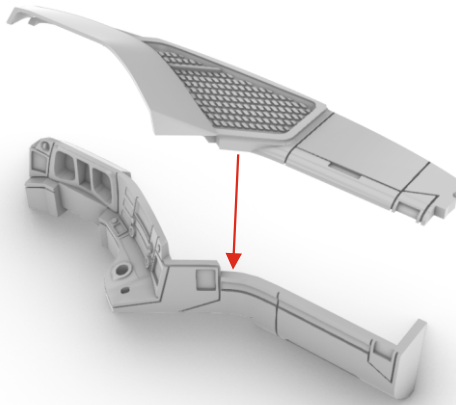
12. ♣ X2



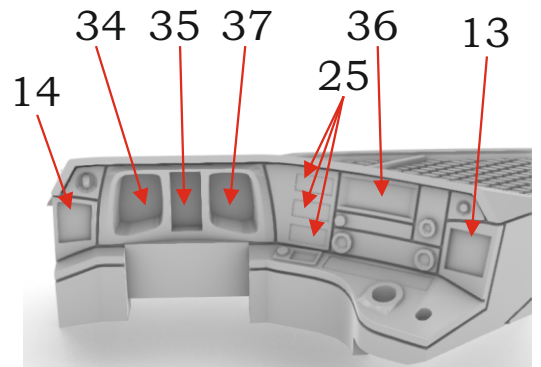
13. ♣ X2



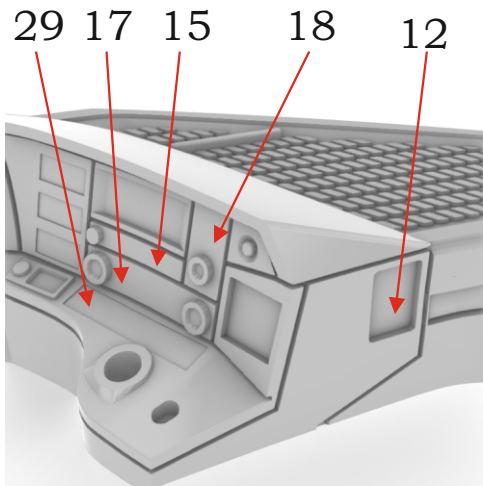
14. ♣



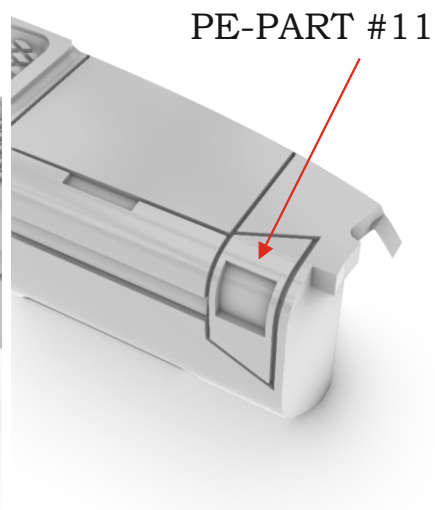
15. ♣ PE-PARTS:



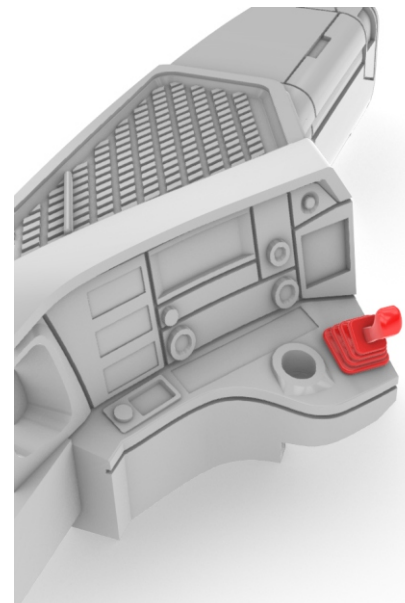
16. ♣ PE-PARTS:



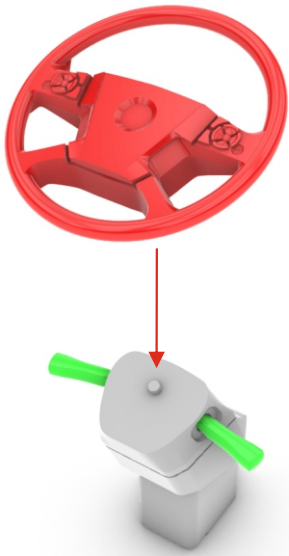
17. ♣



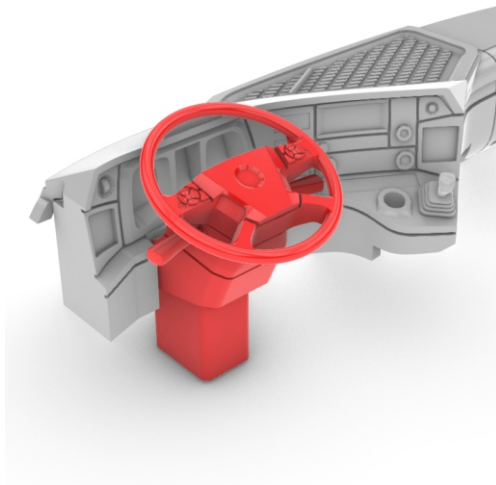
18. ♣



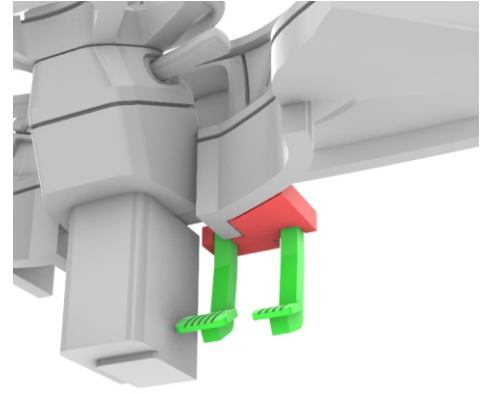
19.♣



20.♣



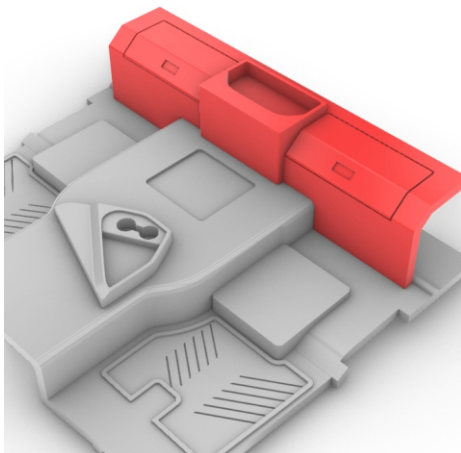
21.♣



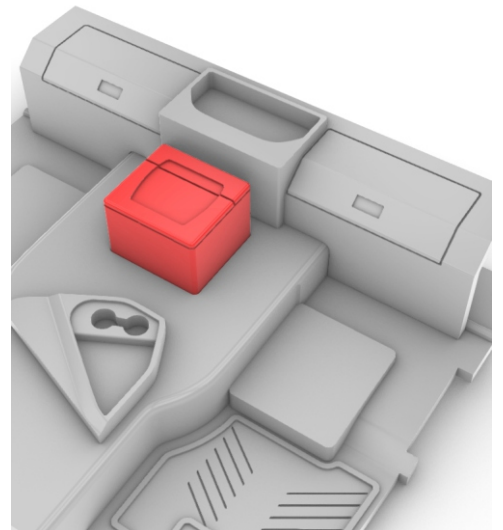
22.♣



23.♣



24.♣



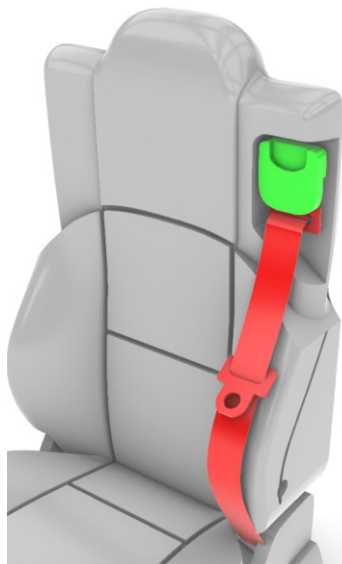
25.♣

PE-PART #9



PE-PART #31

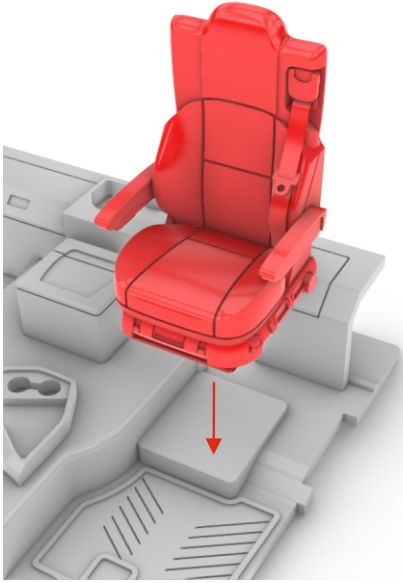
26.♣ X2



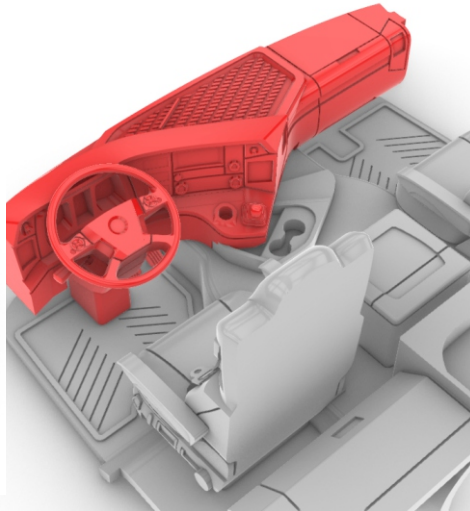
27.♣ X2



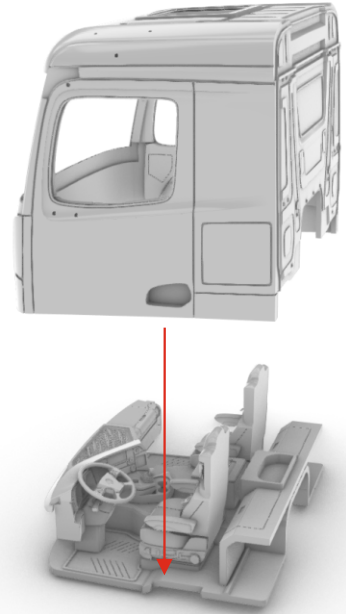
28. ♠ X2



29. ♠



30. ♠

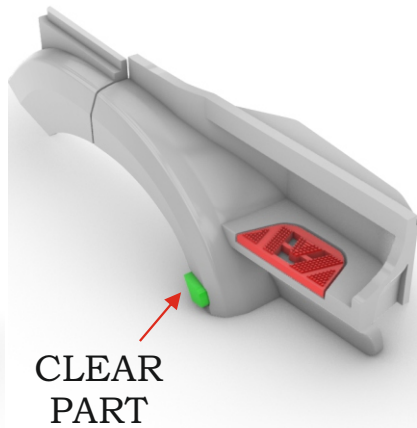


31. ♠ X2



! OPTIONAL

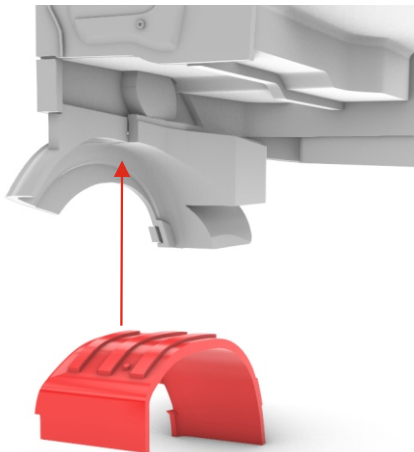
32. ♠ X2



33. ♠ X2



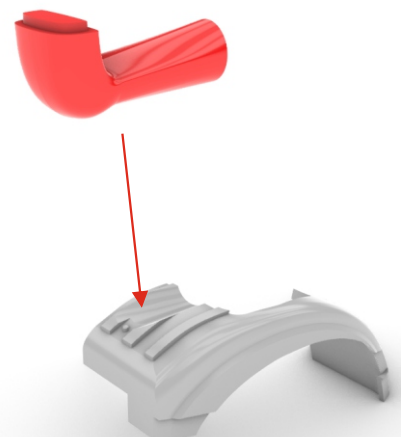
34. ♠




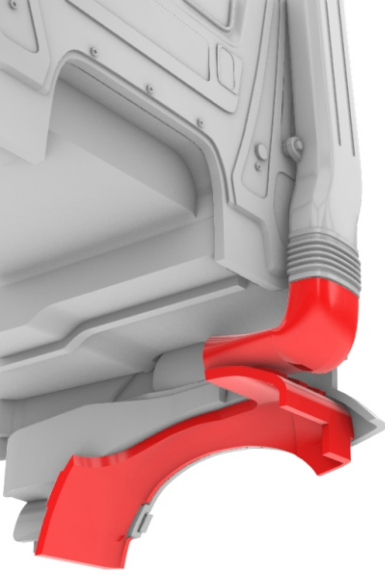
35. ♠



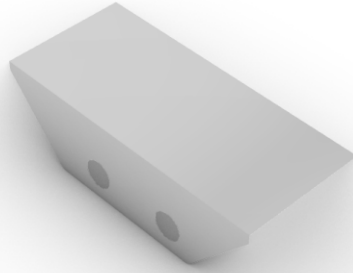
36. ♠



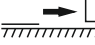
37. 

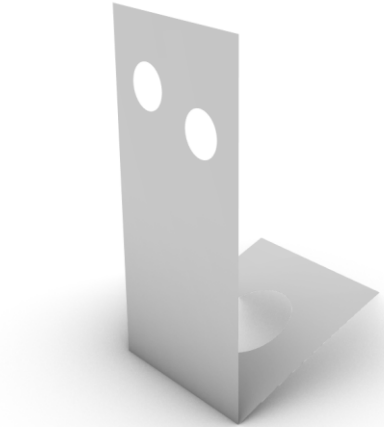


38. 




PE-PART #30

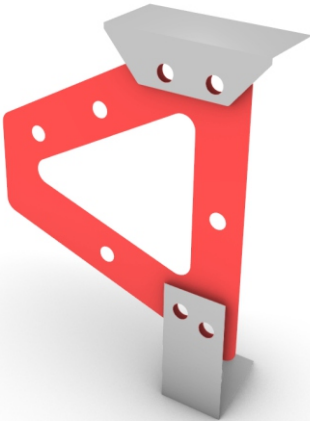
39. 




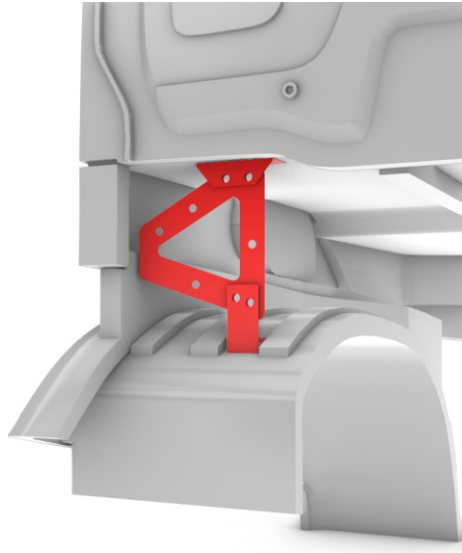
PE-PART #19

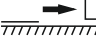
40. 

PE-PART #23



41. 



42.  X2

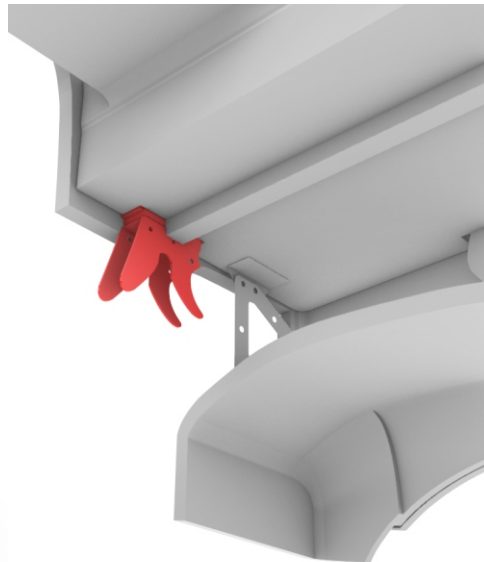



PE-PART #8

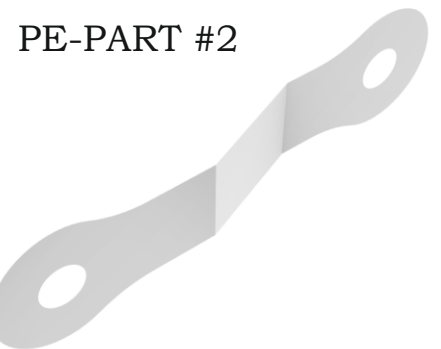
43.  X2



44.  X2

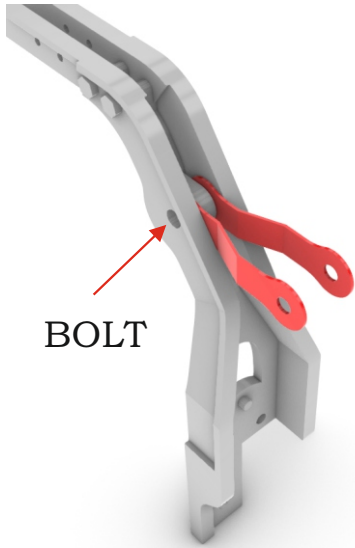


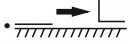
45.  X4

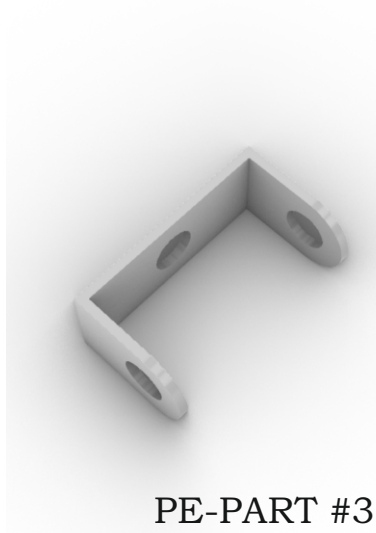


PE-PART #2

46.  X2




47.  X2

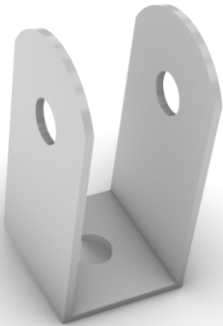


48.  X2

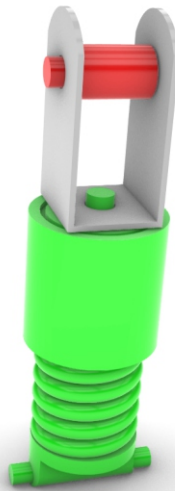


49.  X2

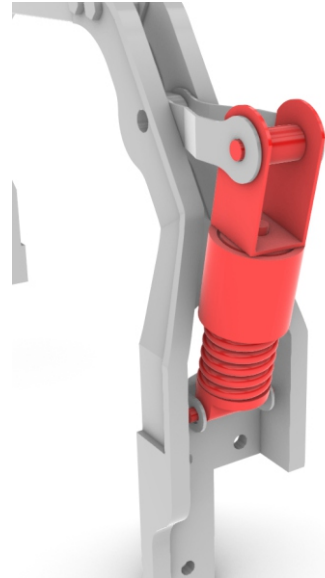
PE-PART #1



50.  X2



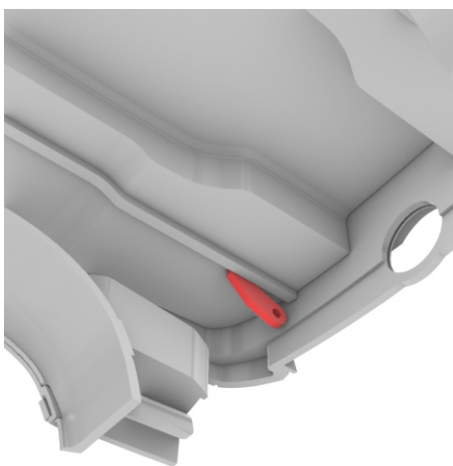
51.  X2




52. 

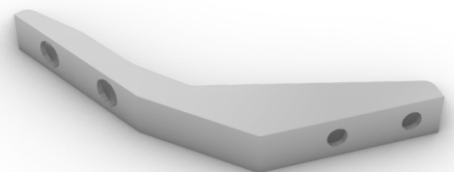



53.  X2





54. 

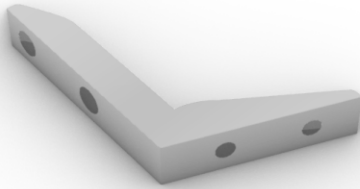
PE-PART #38



55. 

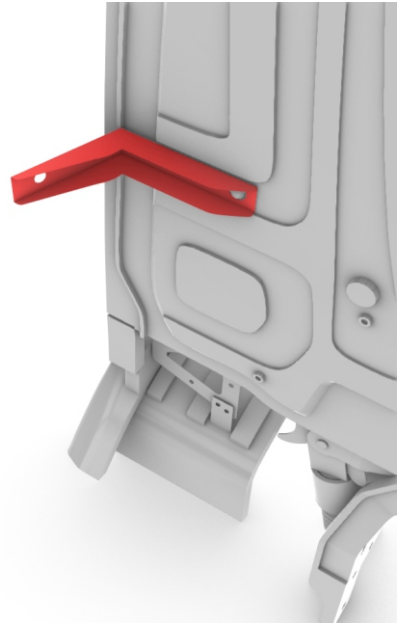



56.  

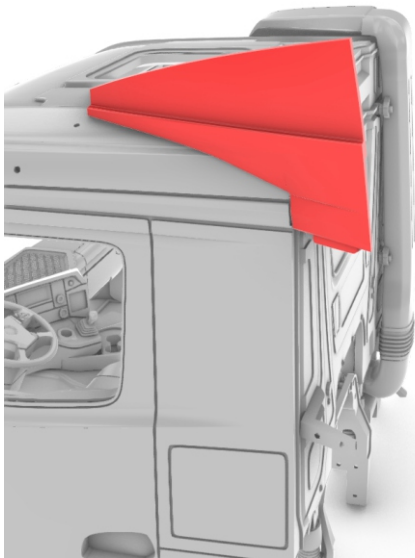



PE-PART #39

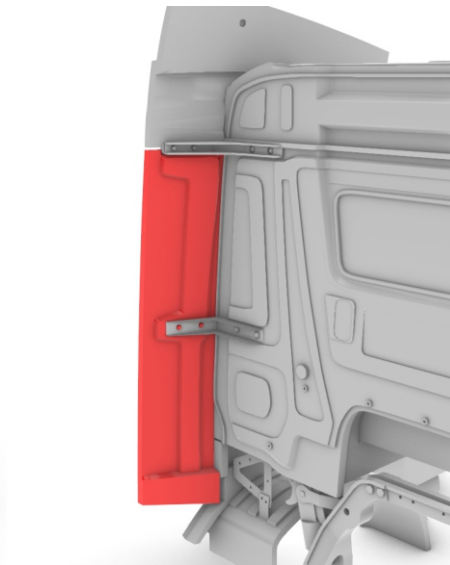
57. 




58. 




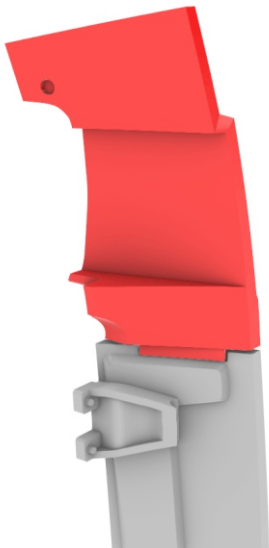
59. 



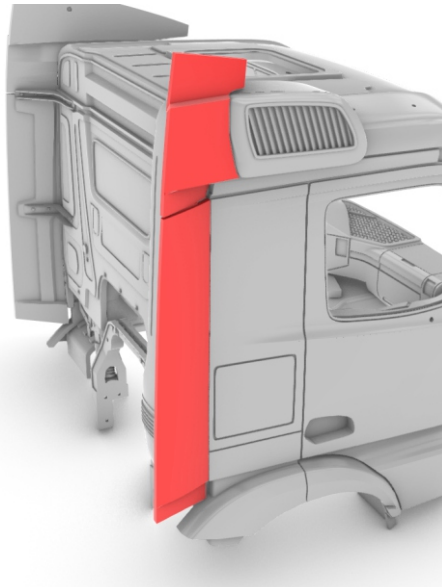
60. 



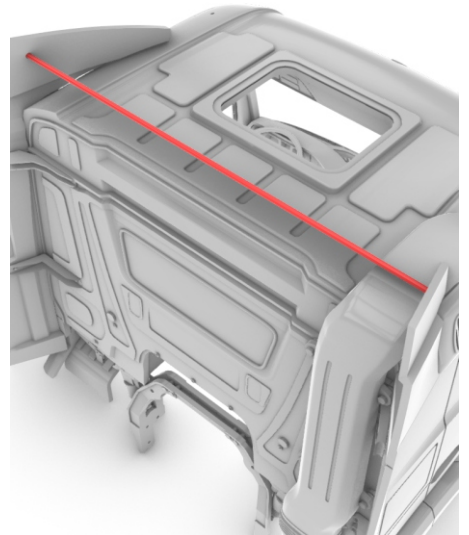
61. 



62. 



63.  PROFILE \varnothing 1mm
L= 92 mm



64.  X2

PE-PART #44

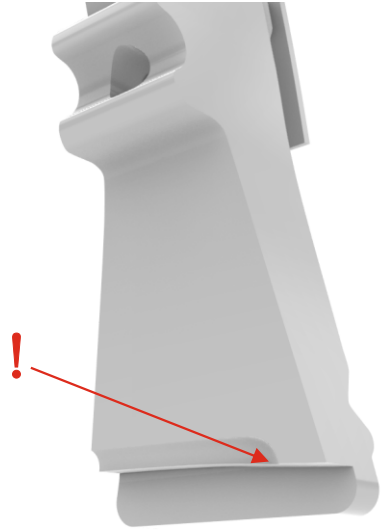


! USE THE JIG
(IN PAPER BOUQLET)

65.  X2

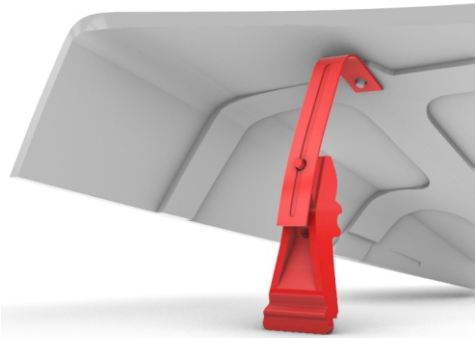



66. 



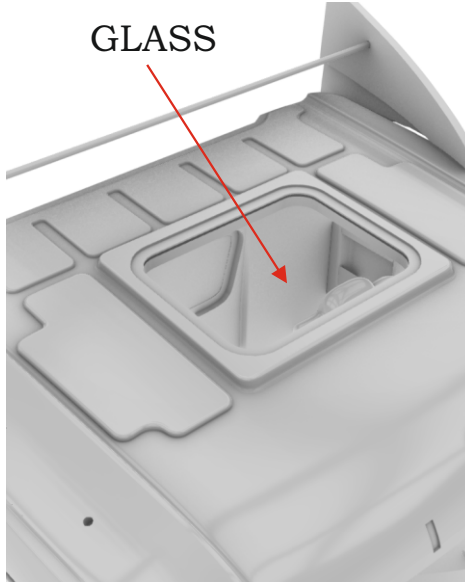
LEFT BRACKET!

67.  X2

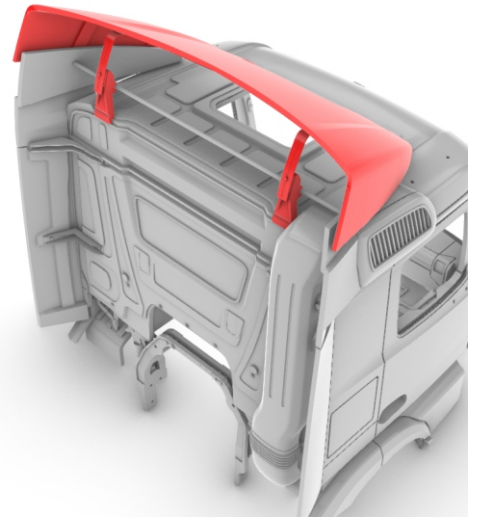


68. 

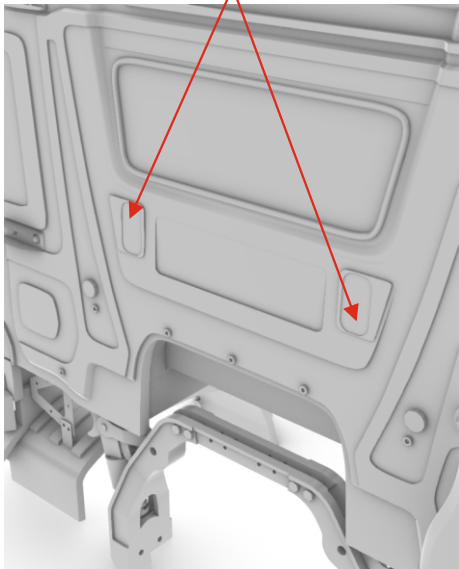
GLASS



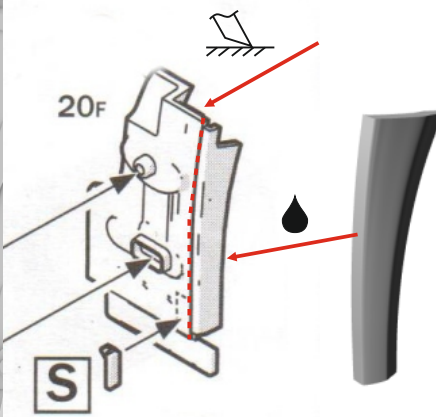
69. 




70.  PE-PART #32

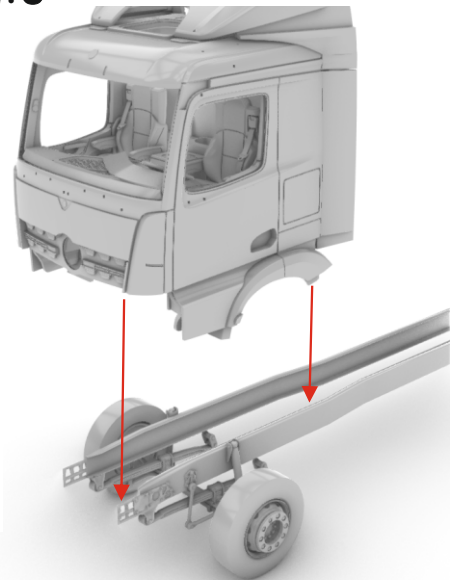


71.

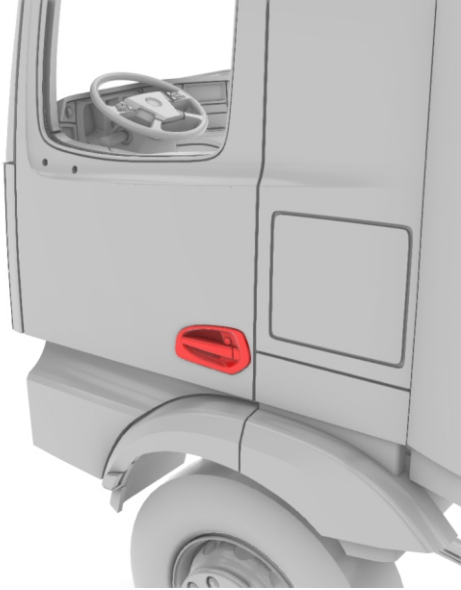


STEP 20 OF ITALERI
ASSEMBLING INSTRUCTION

72. 



73. ♠ X2



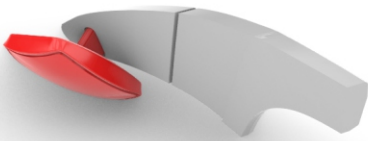
74. ♠ X2



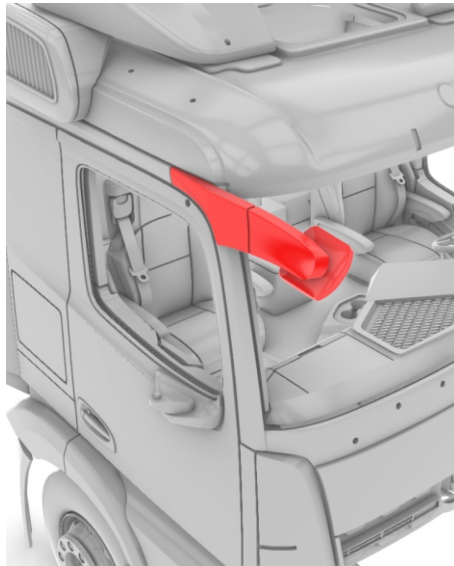
75. ♠



76. ♠



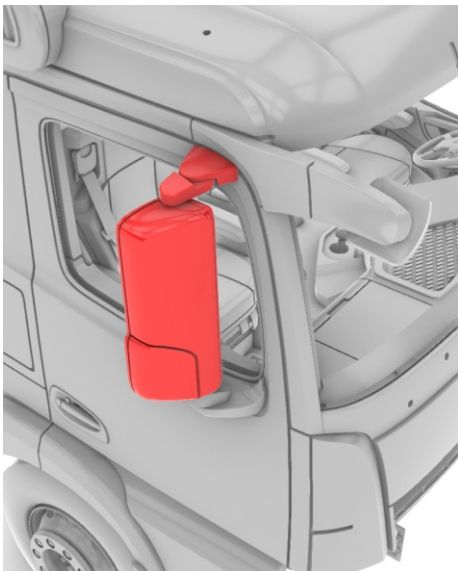
77. ♠



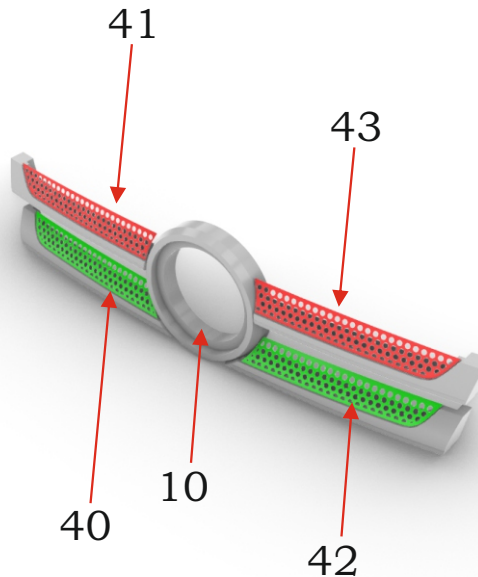
78. ♠ X2



79. ♠ X2



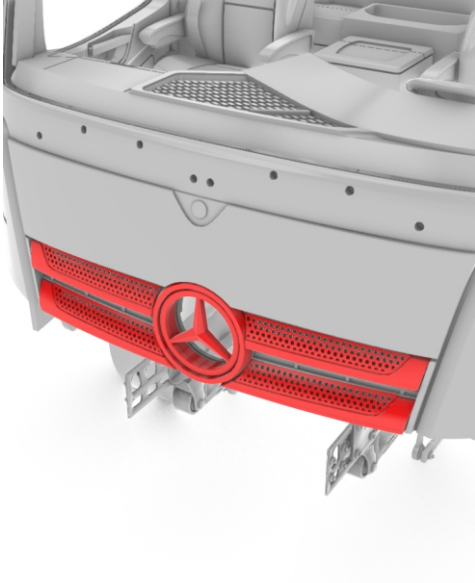
80. ♠ PE-PARTS:



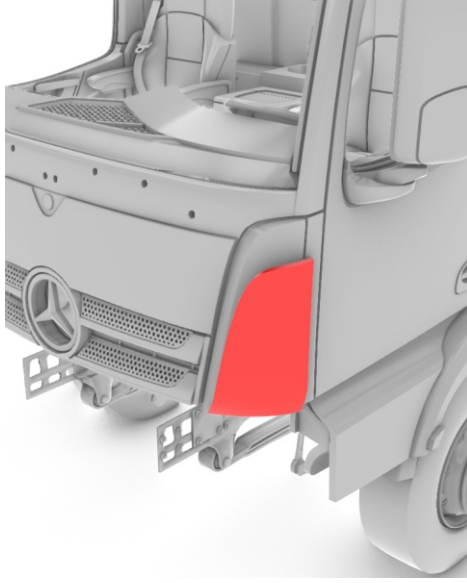
81. ♠



82. ♣



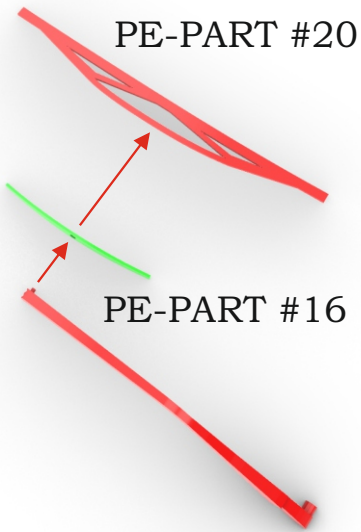
83. ♣ X2



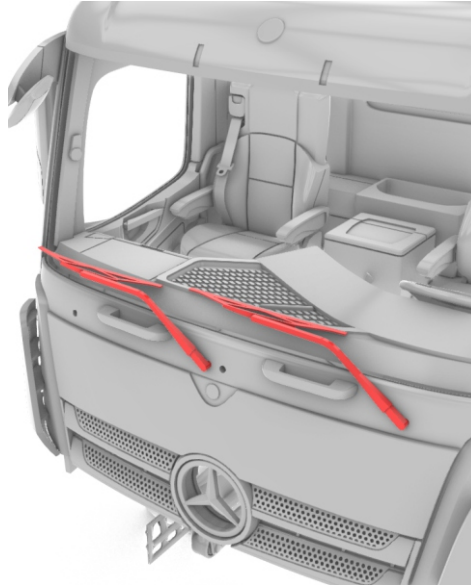
84. ♣



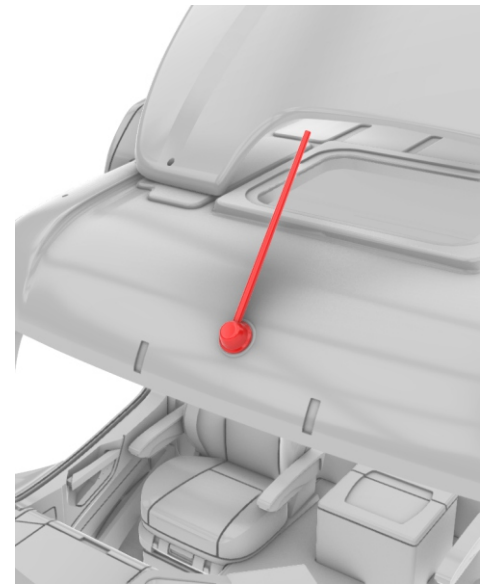
85. ♣ X2



86. ♣

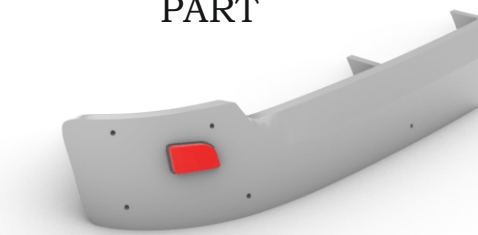


87. ♣

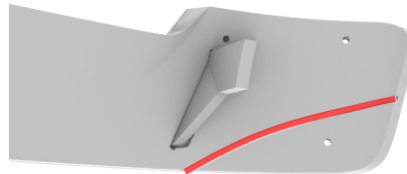


88. ♣ X2

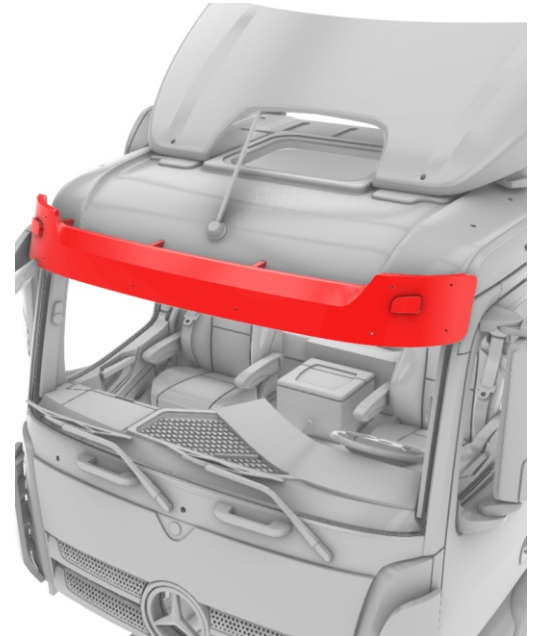
CLEAR
PART



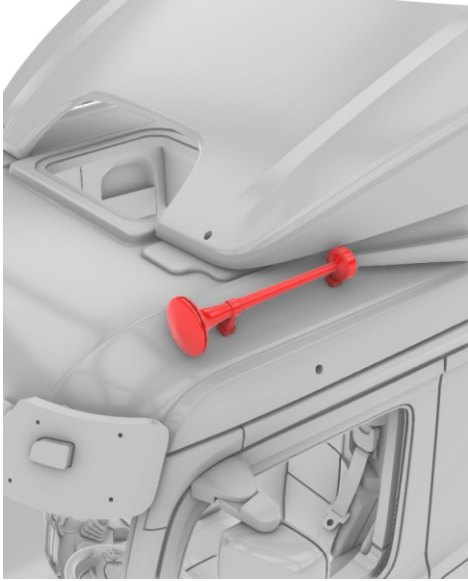
89. ♣



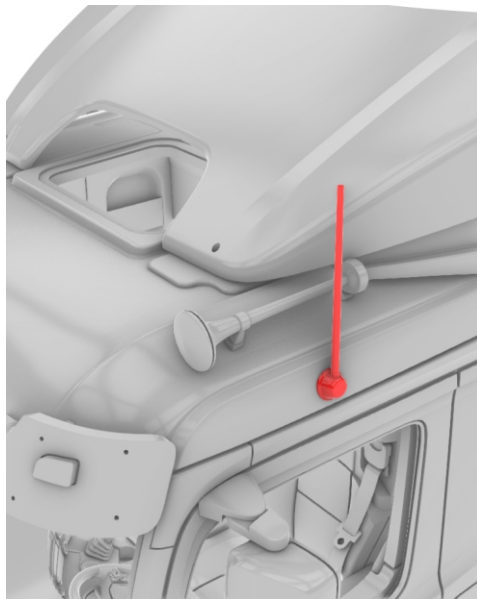
90. ♣



91. ♣ X2



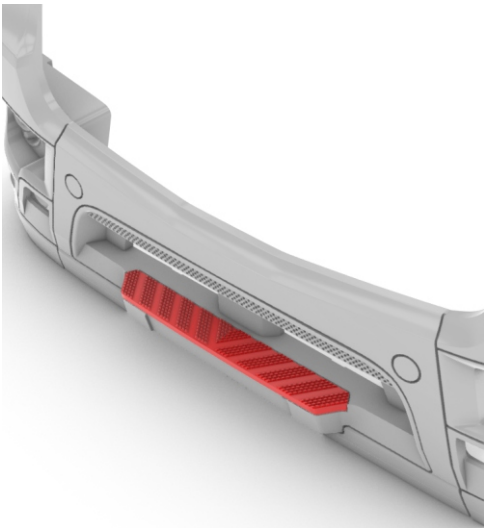
92. ♣



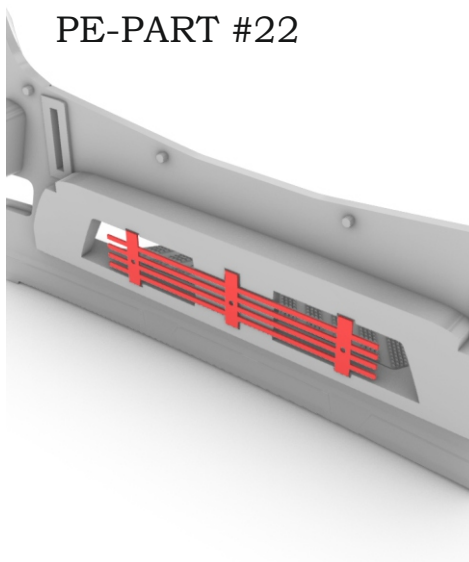
93. ♣ PE-PART #48



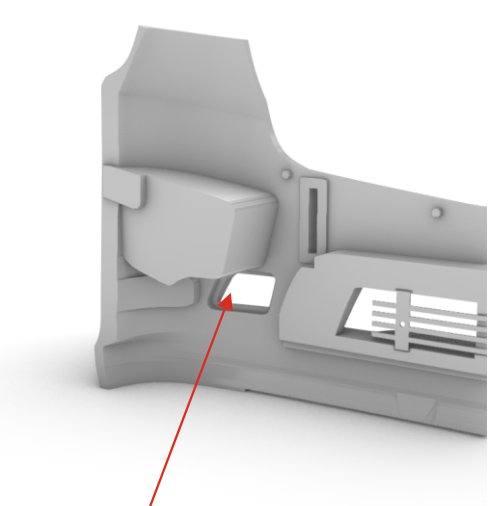
94. ♣



95. ♣

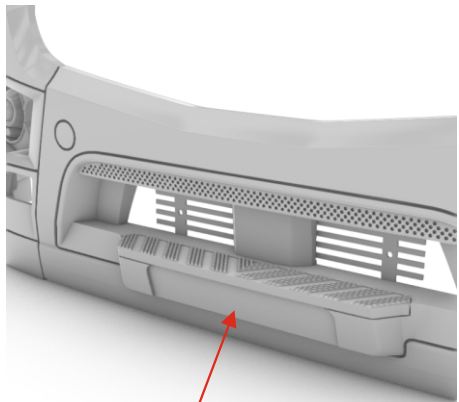


96. ♣ X2



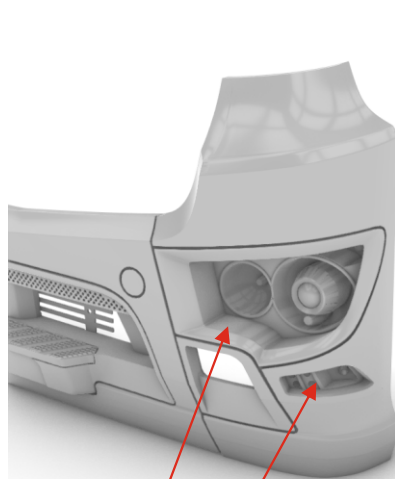
PE-PART #24

97. ♣



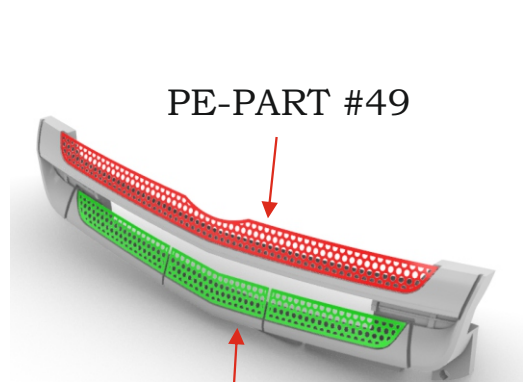
PE-PART #33

98. ♣



CLEAR PARTS

99. ♣

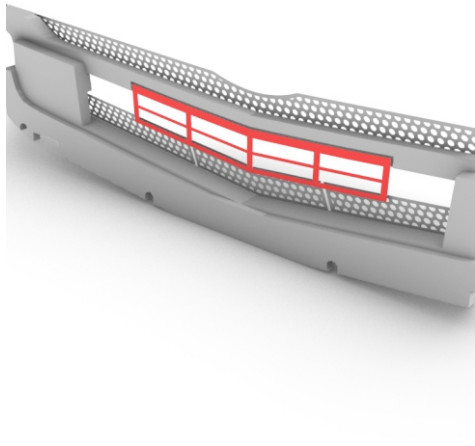


PE-PART #50

German Antos truck. Conversion kit. Scale 1/24

100.♠

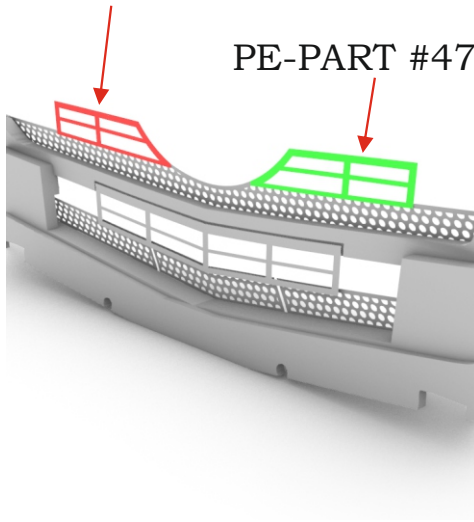
PE-PART #45



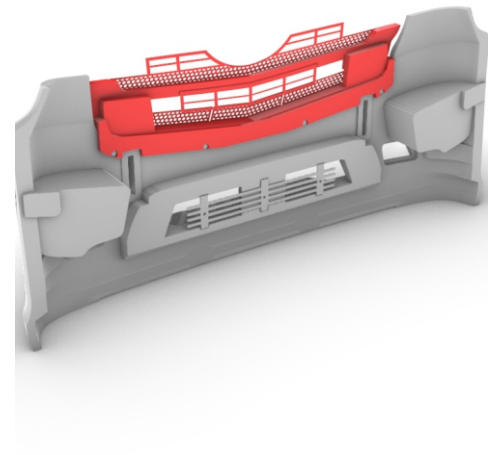
101.♠

PE-PART #48

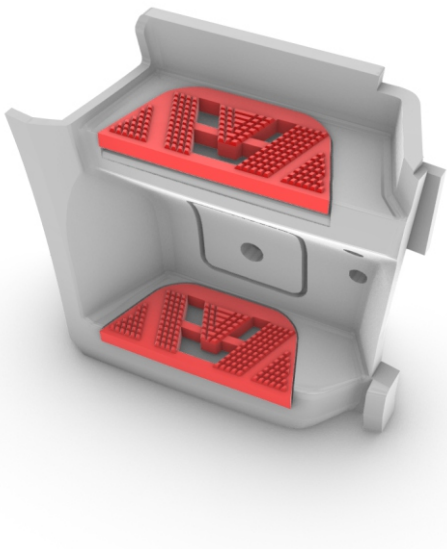
PE-PART #47



102.♠



103.♠ X2



104.♠ X2



105.♠ X2



106.♠

